



BATEL

ELEKTROMEKANİK

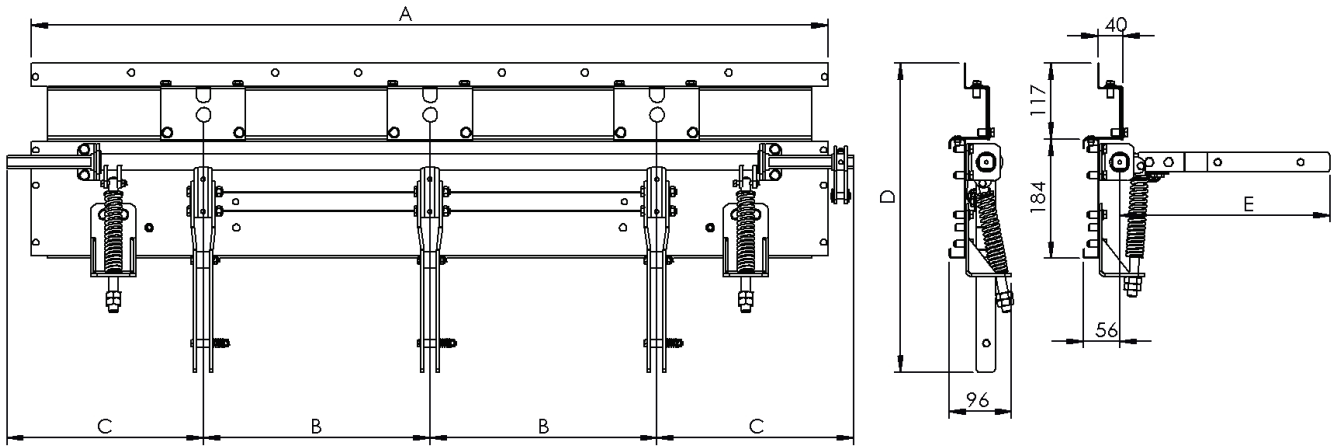
BTA5

EARTHING SWITCH

UP TO 40.5 kV



EARTHING SWITCH



General Specifications

BTA 5 type earthing switch has capability of making on short circuit.

Operation is activated by a spring system and it is independent of the operator.

Rated Voltage (kV)	Dimensions (mm)				
	A	B	C	D	E
24 kV	830	250	215	387	234
38/40.5 kV	1230	350	303	477	324

Technical Characteristics			
Rated voltage	kV	24	38/40.5
50 Hz, 1 min Insulation level	kV rms	50	95
1.2/50µs insulation level	kV peak	125	200
Rated frequency	Hz	50	
Short time withstand current	kA, 1s	16/20/25	
Related Standard		IEC 62271-102	
Mechanical endurance class		M2 (2000 operations)	
Making current	kA		
Earthing switch class		E2 (5 making)	
Ambient temperature for working	°C	- 5 / + 40	



BATEL ELEKTROMEKANIK SAN. ve TIC. AS.
IAOSB 10001 Street No:13 Cigli / IZMIR - TURKEY
Tel: +90 232 376 76 90(pbx) Fax: +90 232 376 76 91
www.batel.com.tr e-mail: info@batel.com.tr