



**BATEL**

**ELEKTROMEKANİK**

**BVK**

**VACUUM CIRCUIT BREAKER**

**UP TO 40.5 kV**



# VACUUM CIRCUIT BREAKER



## General Specifications

Vacuum Interruption technique with BATEL's inhouse make BVI type vacuum interrupters,

- Limited switching energy
- Lateral and frontal version
- Compact design
- Sealed for life vacuum interrupters
- 10.000 operations without maintenance
- High environmental compatibility

BVK type circuit breakers guarantees high level of safety and reliability basically due to BATEL's experience in medium and high voltage switchgear production more than 35 years.

By these means BVK circuit breakers provide high level continuity and availability for the electricity distribution systems. These specs also obtain longer operational endurance and less maintenance.

3 separate poles have epoxy resin insulated housing which contains the vacuum interrupter and terminals.

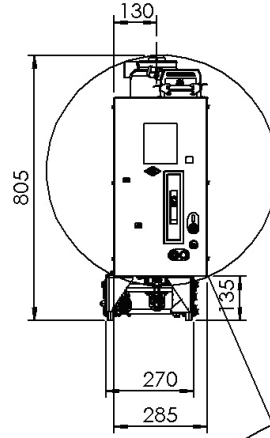
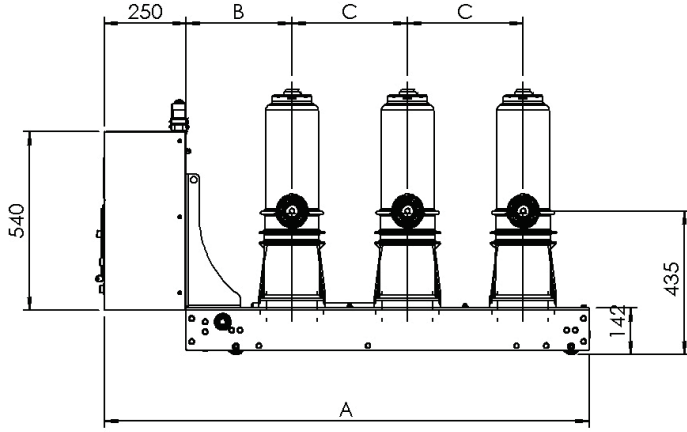
Operating mechanism can be charged manually by lever or by motor. Charged mechanism has stored energy for closing and opening. Closing and opening functions can be done by the push-buttons or by the release coils.

BVK circuit breakers have both frontal mechanism and lateral mechanism versions.

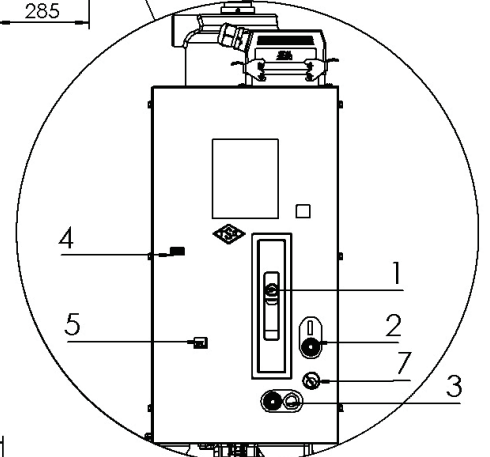
4NO + 4 NC or 6 NO + 6 NC OPEN / CLOSED position auxiliary contacts can be selected optionally.

TECHNICAL SPECIFICATIONS	24 kV	38/40.5 kV
Rated voltage, kV	24	38/40.5
Rated current, A	630/1250	
Rated power frequency test voltage, kV	50	95
Rated frequency, Hz	50	
Rated impulse test voltage, kV peak	125	200
Rated short-circuit breaking current, kA	16/20/25	
Short time withstand current, 3s, (Ik)kA	16/20/25	
Rated short-circuit making current, kA peak	40/50/62,5	
Operating sequence	O - 0.3 s - CO - 3 min -CO	
Electrical endurance class	E1 ( E2 for non-reclosing )	
Mechanical endurance class	M1 ( 2000 operations)	
Temperature range, °C	-5 /+40	
Capacitive current switching class	C2	
Auxiliary power supply, V AC/DC	24V/48V/110V/220V DC, 220V AC	

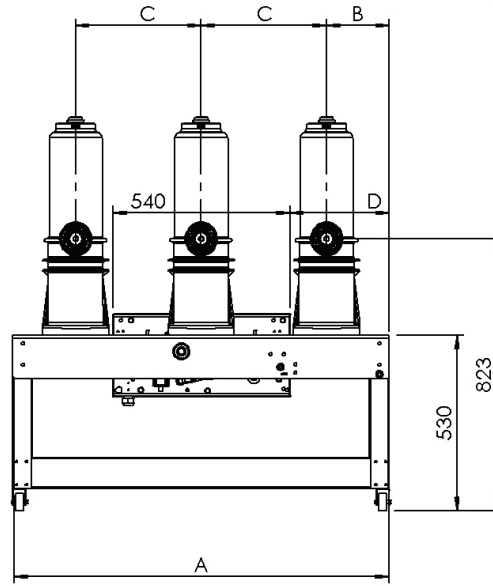
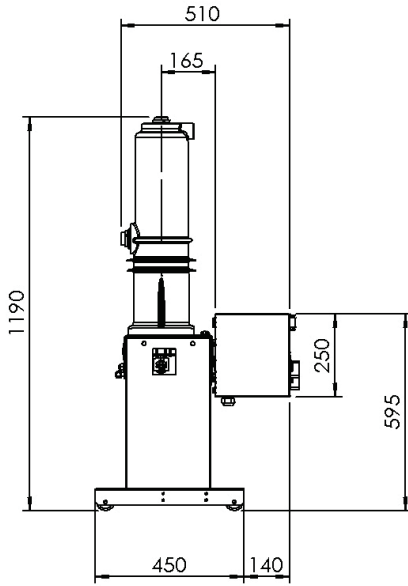
# VACUUM CIRCUIT BREAKER



Lateral Type	Dimensions (mm)			Weight (kg)
	A	B	C	
12-17,5	1050	220	200	107
24	1180	250	250	109
38/40.5	1470	320	350	111



- 1.Charging arm
- 2.Closing button
- 3.Openin button
- 4.Counter
- 5.Position indicator
- 6.Spring indicator
- 7.Mechanical lock



Frontal Type	Dimensions (mm)				Weight (kg)
	A	B	C	D	
12-17,5	840	190	250	170	114
24	940	190	280	200	116
38/40.5	1140	190	380	300	118

**BVK-SF3-RESİM2  
BURAYA  
YAPIŞTIRILACAK**

**açıklamalar  
buraya  
yapıştırlılacak**

# QUALITY MANAGEMENT



**BATEL ELEKTROMEKANİK SAN. ve TIC. AS.**  
IAOSB 10001 Street No:13 Cigli / IZMIR - TURKEY  
Tel: +90 232 376 76 90(pbx) Fax: +90 232 376 76 91  
www.batel.com.tr e-mail: info@batel.com.tr